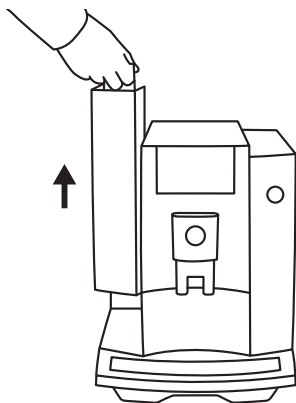


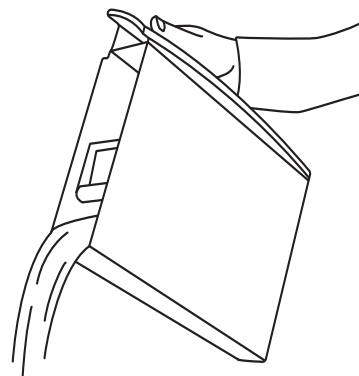
Switching the machine from filter mode to descaling mode

⚠ These short operating instructions are not a replacement for the instructions for use. In the interests of safety, always read the safety information and warnings first.

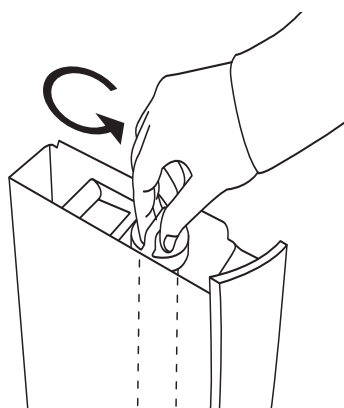
1 - Remove the water tank



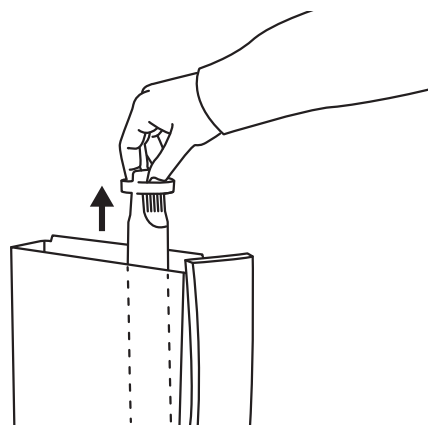
2 - Empty water tank



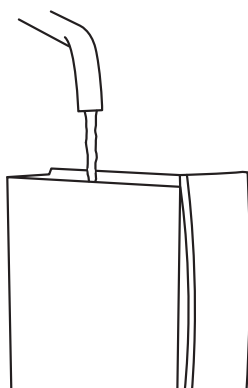
3 - Turn the filter



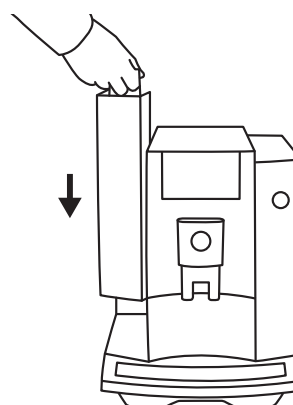
4 - Remove the filter



5 - Fill the water tank



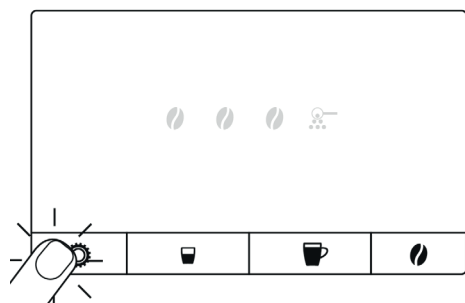
6 - Insert the water tank



Switching the machine from filter mode to descaling mode

⚠ These short operating instructions are not a replacement for the instructions for use. In the interests of safety, always read the safety information and warnings first.

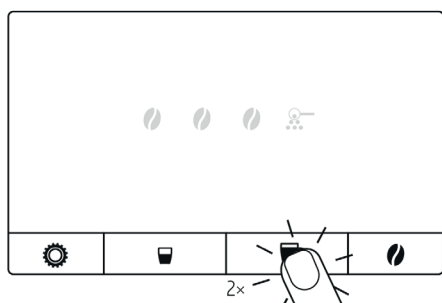
7 - Press the "Programming mode" button



8 - "Descaling" symbol lights up



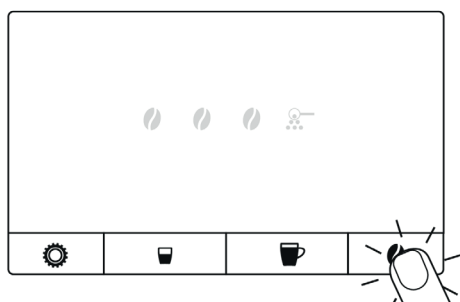
9 - Press the "Large cup" button twice



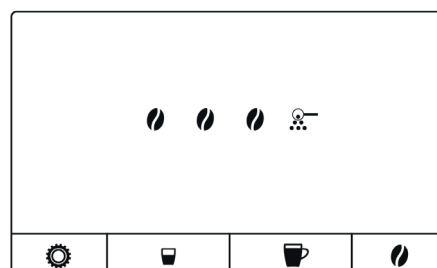
10 - "Filter" symbol lights up



11 - Press the "Coffee strength" button



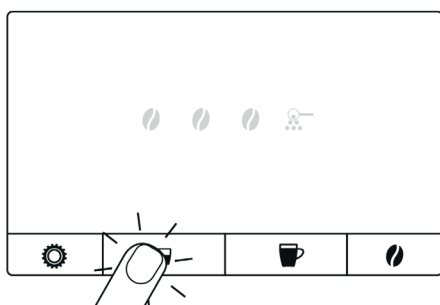
12 - Symbols light up



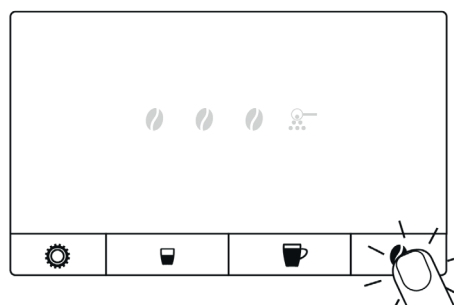
Switching the machine from filter mode to descaling mode

⚠ These short operating instructions are not a replacement for the instructions for use. In the interests of safety, always read the safety information and warnings first.

13 - Press the "Small cup" button



14 - Press the "Coffee strength" button



15 - Symbols flash 3x

